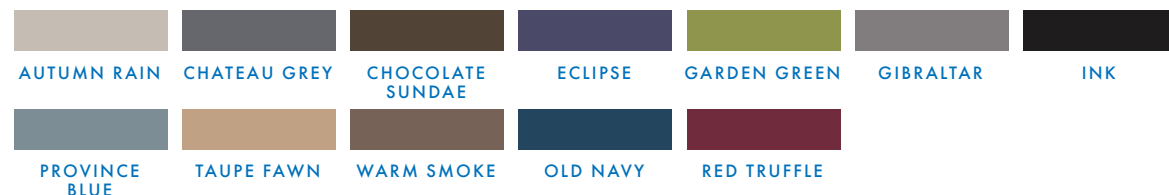


ULTRALEATHER®



STANDARD VINYL

ALLANTE FREE®

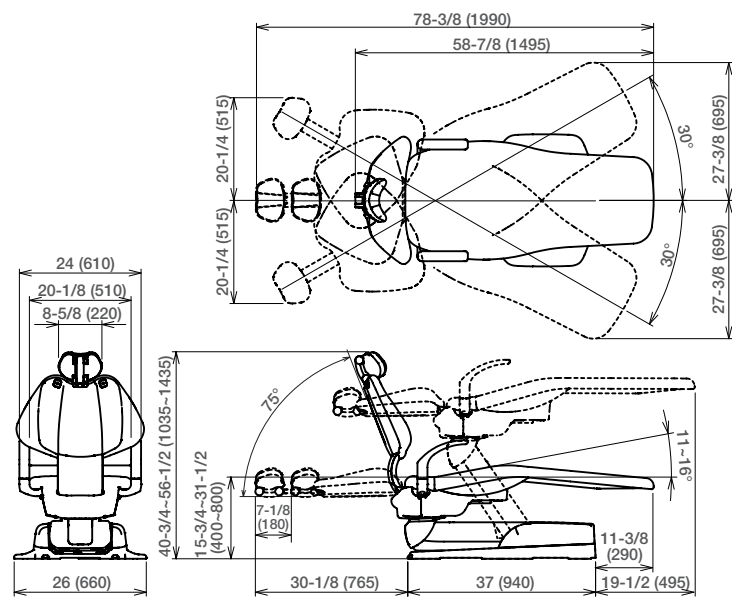


MAVERICK

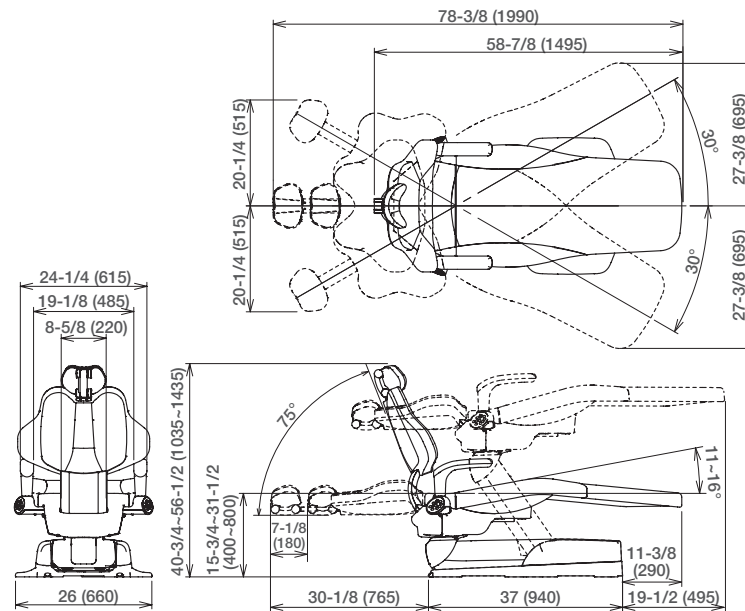


QUOLIS - Q5500

EVOGUE - Q3300



Unit : inch (mm)
Tolerance in dimensions: ±10%



Unit : inch (mm)
Tolerance in dimensions: ±10%



DENTAL CHAIRS

Q5500
Q3300

QUOLIS

EVOGUE



IMPROVE YOUR OWN VIEW

Belmont's improved headrest design provides operators with enhanced capability to position and access the patient oral cavity for greater treatment efficiency.



HEADREST

The new twin-axis headrest system is capable of making a wide range of adjustments using a fraction of the force required in previous models.

UPHOLSTERY STYLE OPTIONS



SEAMLESS WIDE

PLUSH WIDE

SEAMLESS NARROW

PLUSH NARROW

QUOLIS - Q5500



Our Flagship Chair - Exceptional Craftsmanship - Unsurpassed Quality

The Q5500 chair has a sleek, refined appearance. This sophisticated chair incorporates a seat positioning system that gently glides patients into treatment position. Q5500 chairs are comfortable from the moment your patient is seated. Unrestricted clinical access with unparalleled comfort. The thin and narrow backrest design allows doctors and assistants to work comfortably and efficiently.

FINGERTIP SEAT ROTATION

ROTATING ARMRESTS

INTEGRATED TOUCHPADS

EVOGUE - Q3300



Belmont Craftmanship Provides Years of Trouble-free Use

The Q3300 Evogue chair features a fully hydraulic drive system providing years of trouble-free use. New double articulating headrest design that is both user-friendly and more comfortable for the patient.

BACKREST CONTROLS

DUAL AXIS HEADREST